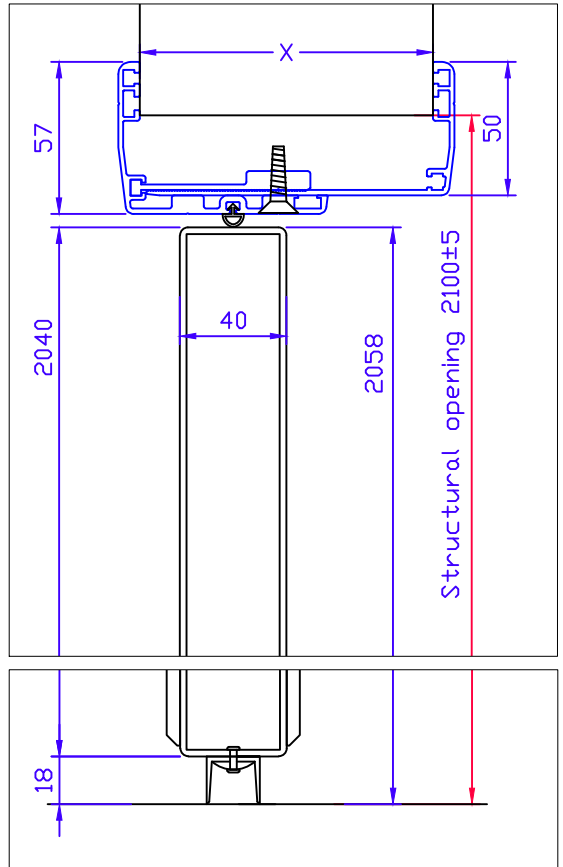
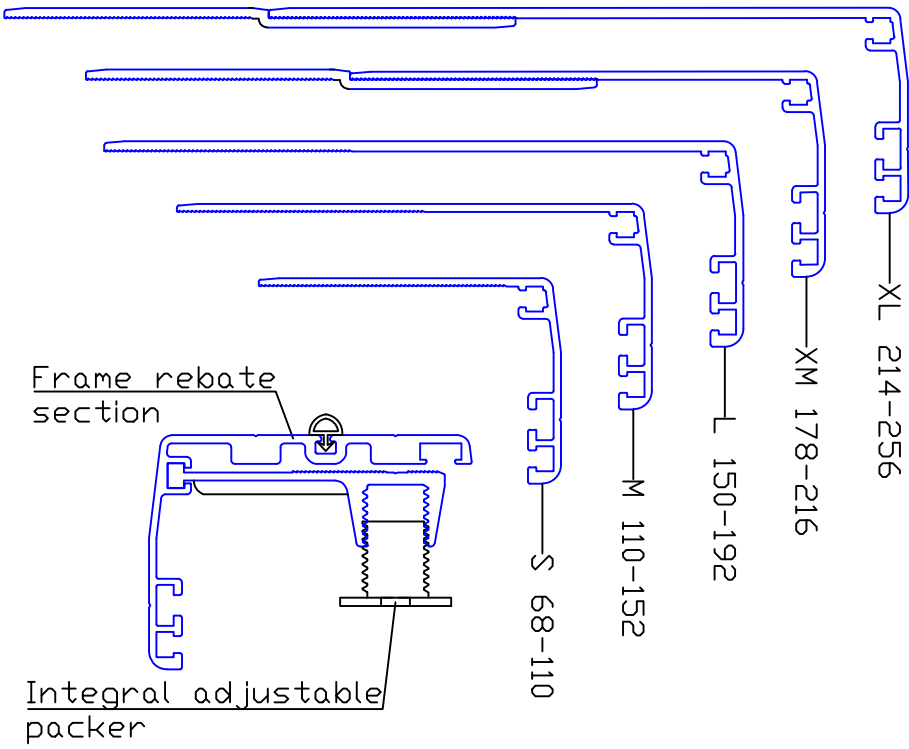
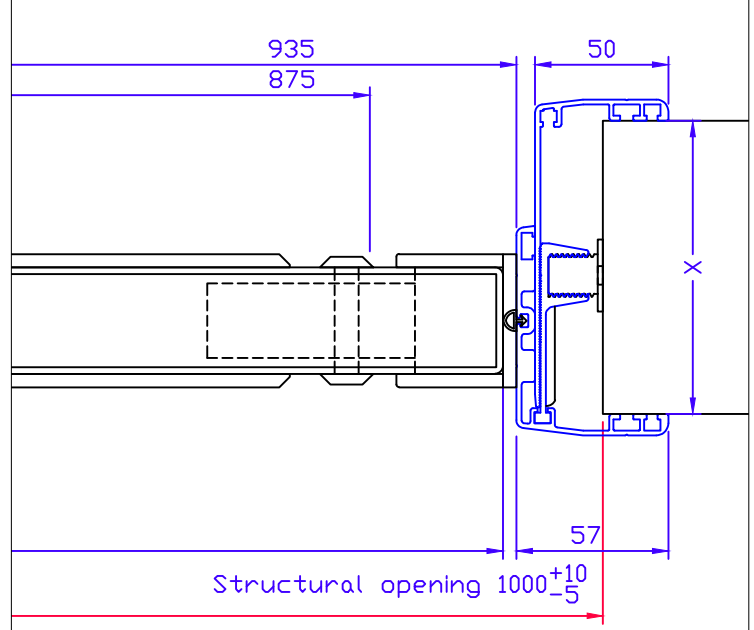
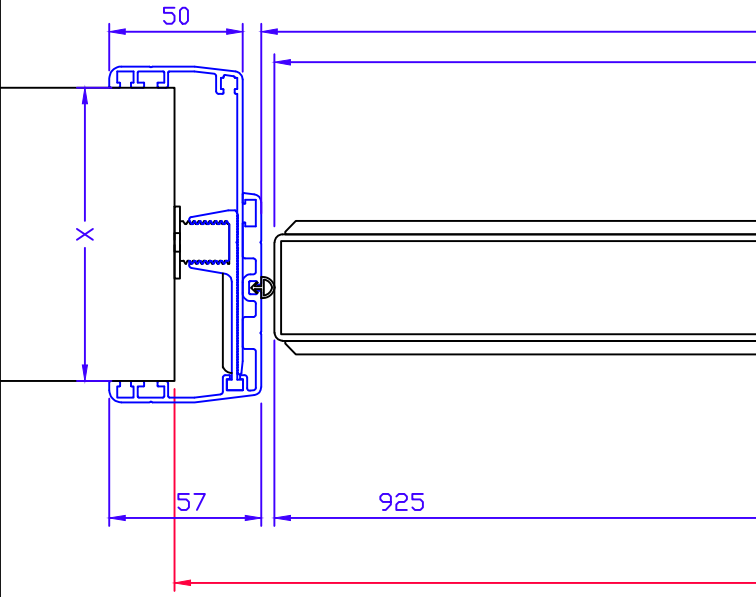


Frame adjusting sections for different wall thicknesses



KKH 10



KKH 14 P

