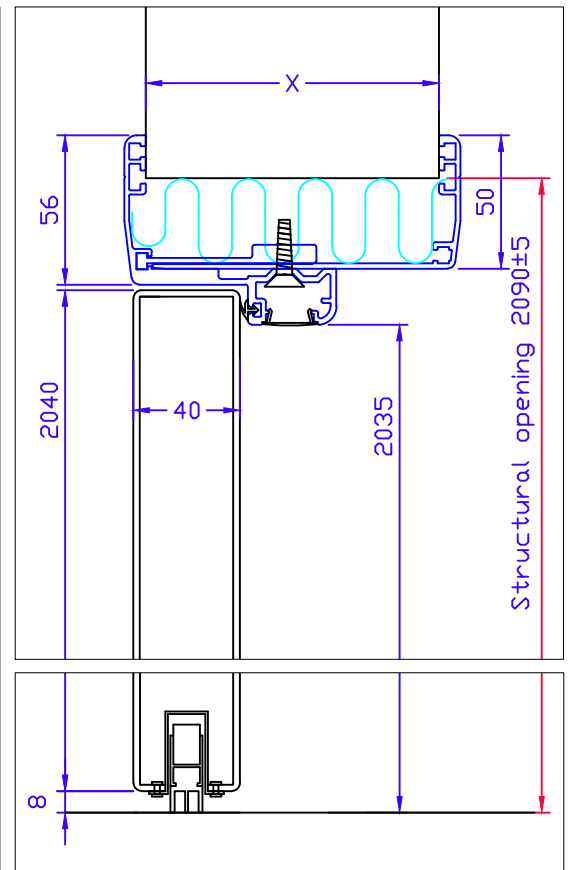
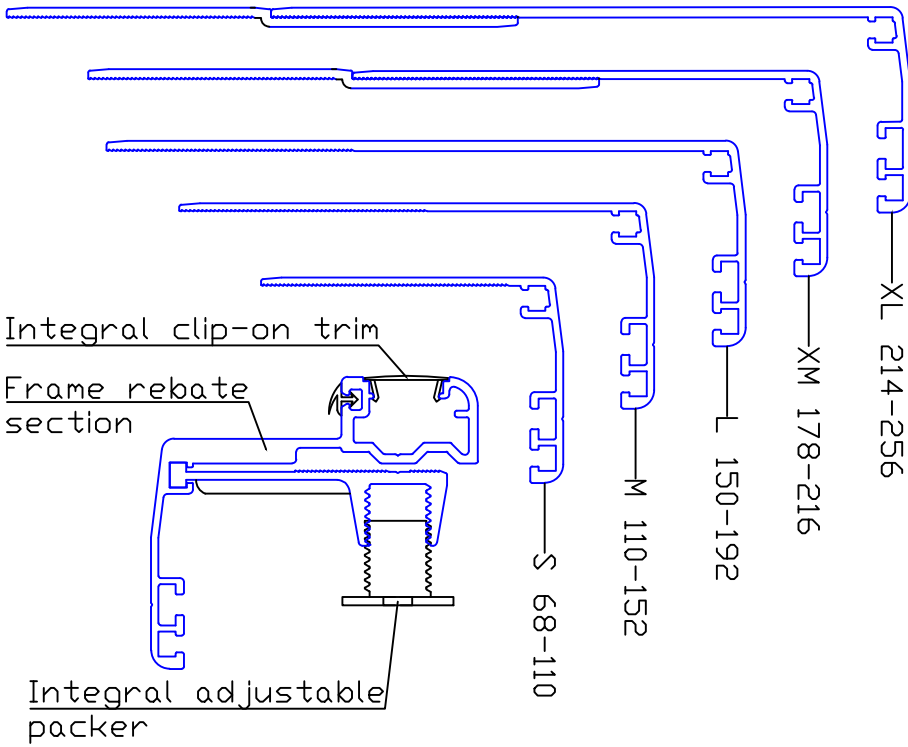
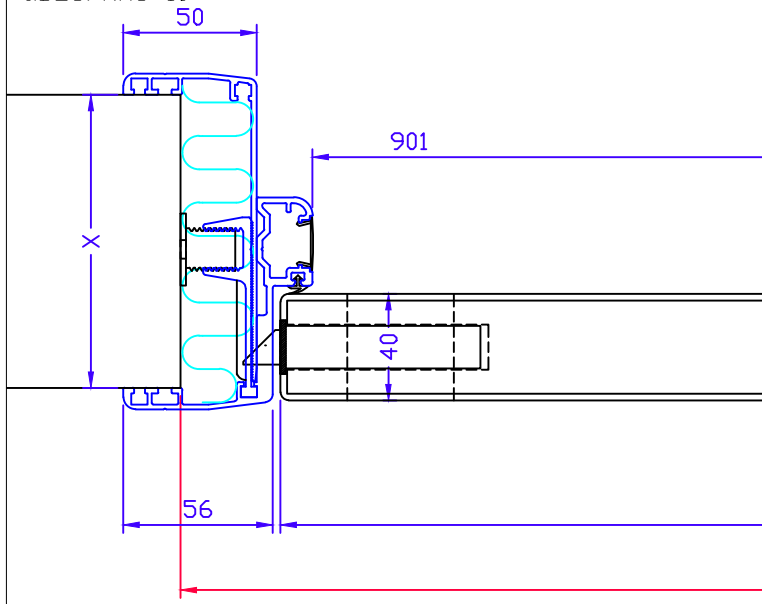


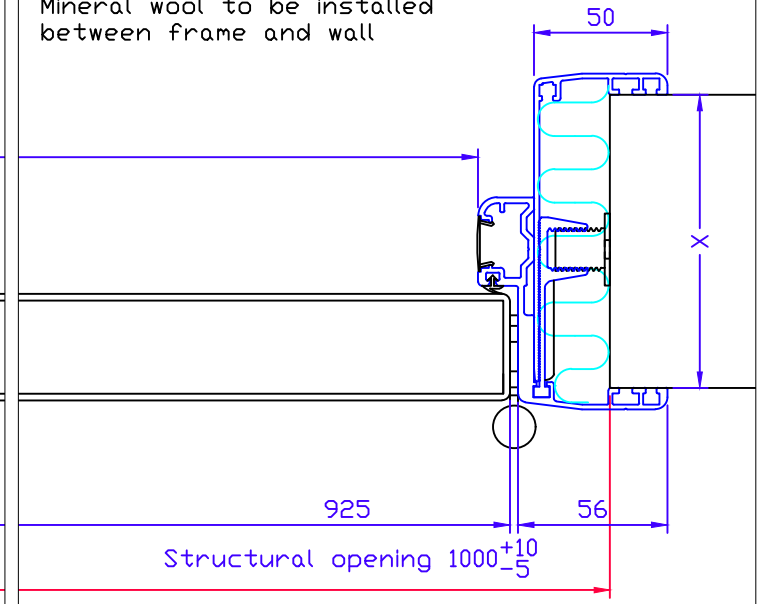
Frame adjusting sections for different wall thicknesses



dB25/KAS 10



Mineral wool to be installed between frame and wall



dB25/KAS 14 P

